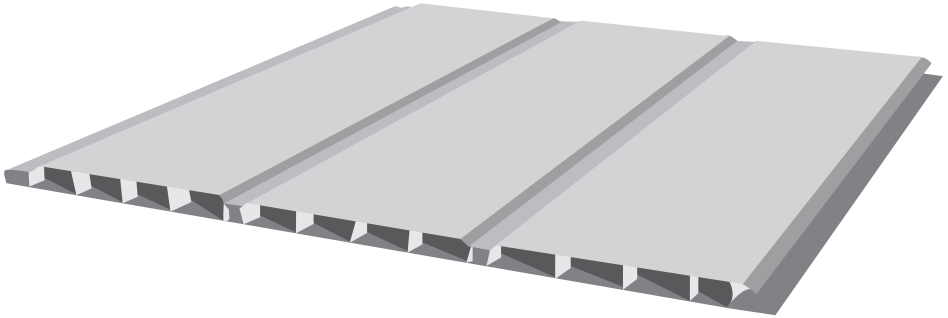


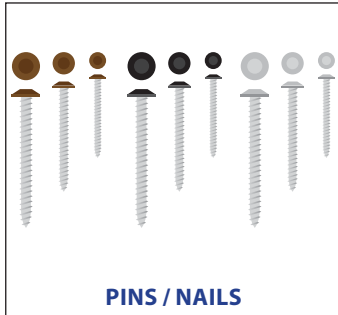
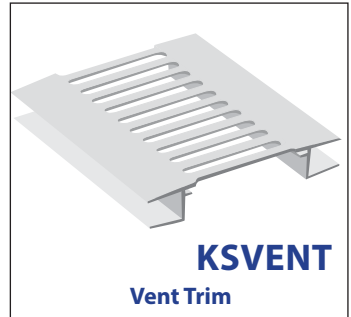
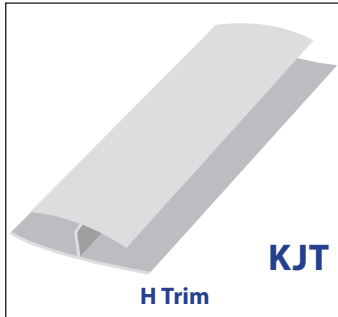
AQUACEL FOAM RANGE



KSB300 - Hollow Soffit



(Shown in Mahogany Woodgrain)



All sizes are Internal

Hollow Soffit / Cladding & Trims

		White		Woodgrain		Premium Woodgrain		Colours	
Product Code	Size	PK Qty	Price	Pk Qty	Price	Pk Qty	Price	Pk Qty	Price
KSB100	100mm	10 x 5m		10 x 5m		10 x 5m	N/A	10 x 5m	
KSB300	300mm	5 x 5m		5 x 5m		5 x 5m		5 x 5m	
KSBV300	300 Vented	5 x 5m		5 x 5m	N/A	5 x 5m	N/A	5 x 5m	N/A
KSTW	J Starter Trim	10 x 5m		10 x 5m		10 x 5m		10 x 5m	
KJTW	H Trim	10 x 5m		10 x 5m		10 x 5m		10 x 5m	
KFT	F Trim	10 x 5m		10 x 5m		10 x 5m	N/A	10 x 5m	
KFRT	Flat Roof Trim	10 x 5m		10 x 5m	N/A	10 x 5m	N/A	10 x 5m	
KCV	Circular Vent	350		350	N/A	350	N/A	350	
KSVENT	Vent Trim	10 x 5m		10 x 5m		10 x 5m	N/A	10 x 5m	

Polytop Pins/Nails available in: Black, Brown, White, Light Oak and Irish Oak

K/P/30	30mm	200 box		200 box	N/A	200 box		200 box	
K/P/40	40mm	200 box		200 box	N/A	200 box		200 box	



To indicate the product colour(s) required, the following code suffixes should be used:

Colour Suffixes: BG - Black Woodgrain, LO - Sherwood Woodgrain, RW - Rosewood Woodgrain, WG - Mahogany Woodgrain, BL - Black and BR - Brown, IO - Irish Oak, CG - Cream Woodgrain, WTG - White Woodgrain

All sizes are Internal